

**Makita**<sup>®</sup>

## **Power Planer**

Instruction Manual

## **Falzhobel**

Betriebsanleitung

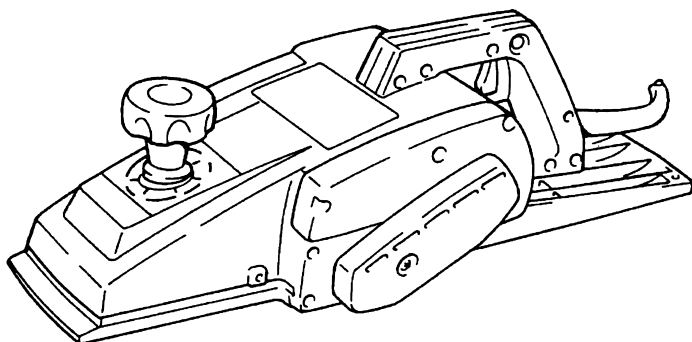
## **Strugarka elektryczna**

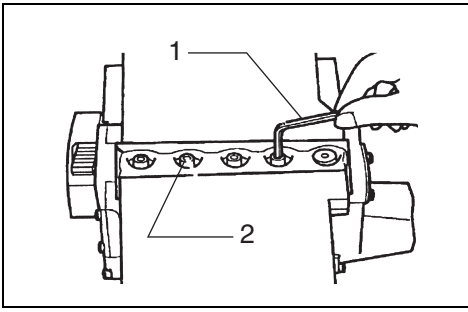
Instrukcja obsługi

## **Электрический строгальный станок**

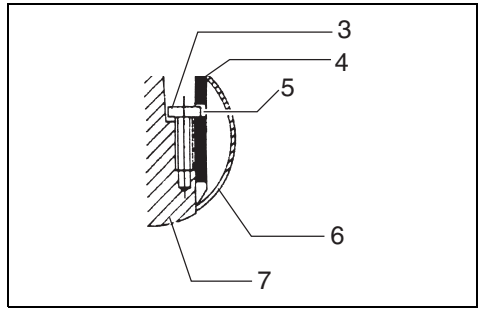
Инструкция по эксплуатации

# **1806B**

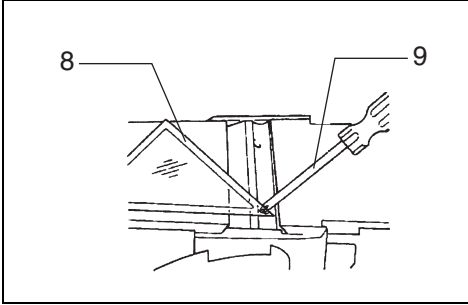




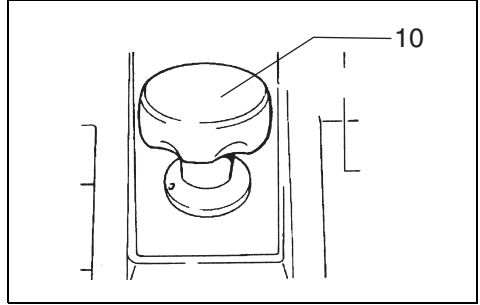
1



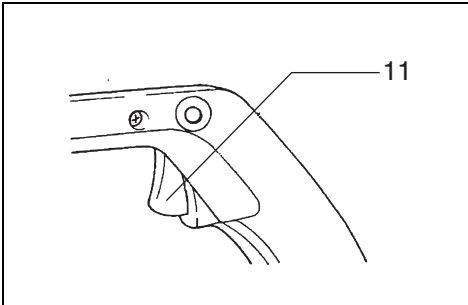
2



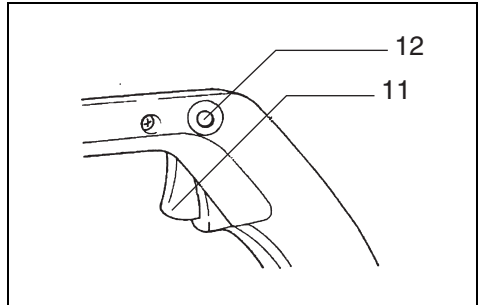
3



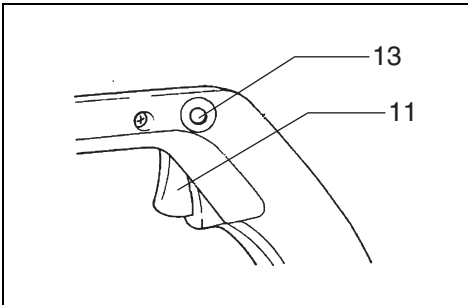
4



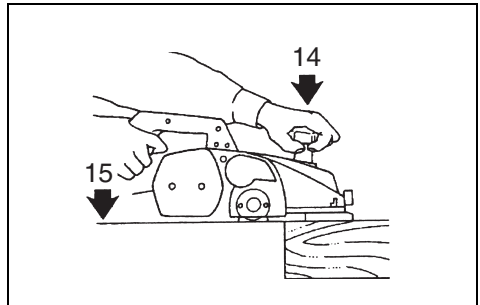
5



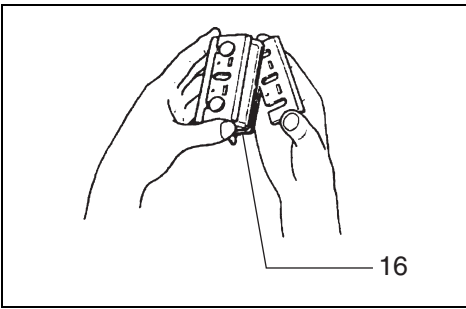
6



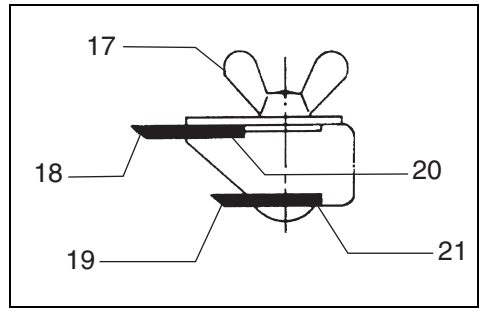
7



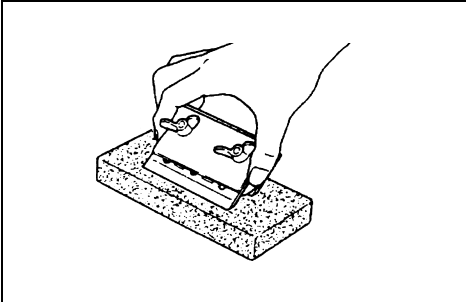
8



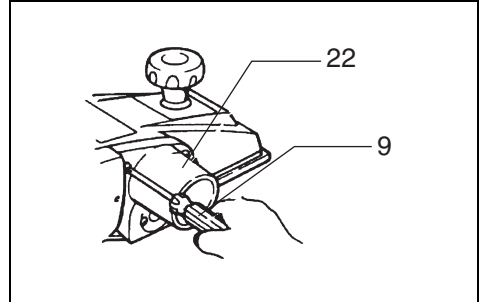
9



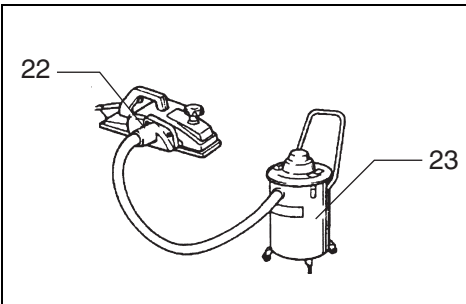
10



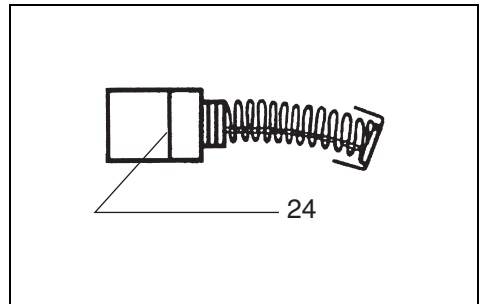
11



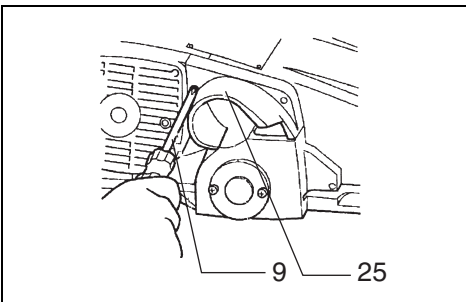
12



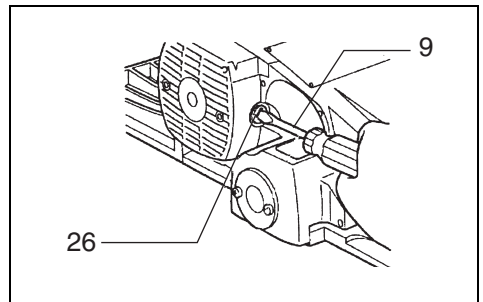
13



14



15



16

## Symbols

The followings show the symbols used for the tool. Be sure that you understand their meaning before use.

## Symbole

Die folgenden Symbole werden für die Maschine verwendet. Machen Sie sich vor der Benutzung unbedingt mit ihrer Bedeutung vertraut.

## Symbole

Poniższe symbole używane są do opisu urządzenia. Przed użyciem należy upewnić się, że rozumie się ich znaczenie.

## Символы

Следующие объяснения показывают символы, используемые для инструмента. Убедитесь перед использованием, что Вы понимаете их значение.



- Read instruction manual.
- Bitte Betriebsanleitung lesen.
- Przeczytaj instrukcję obsługi.
- Прочитайте инструкцию по эксплуатации.



- DOUBLE INSULATION
- DOPPELT SCHUTZISOLIERT
- PODWÓJNA IZOLACJA
- ДВОЙНАЯ ИЗОЛЯЦИЯ

**Explanation of general view**

1 Hex wrench	10 Knob	19 Blade (B)
2 Bolt	11 Switch trigger	20 Side (C)
3 Adjusting screw	12 Lock button	21 Side (D)
4 Planer blade	13 Lock-off button	22 Nozzle
5 Notch in the blade	14 Start	23 Makita vacuum cleaner
6 Drum cover	15 End	24 Limit mark
7 Drum	16 Sharpening holder	25 Chip cover
8 Triangular rule	17 Wing nut	26 Brush holder cap
9 Screwdriver	18 Blade (A)	

**SPECIFICATIONS**

<b>Model</b>	<b>1806B</b>
Planing width .....	170mm
Planing depth .....	2mm
No load speed (min <sup>-1</sup> ) .....	15,000
Overall length .....	529mm
Net weight .....	8.8kg

- Due to our continuing program of research and development, the specifications herein are subject to change without notice.
- Note: Specifications may differ from country to country.

**Power supply**

The tool should be connected only to a power supply of the same voltage as indicated on the nameplate, and can only be operated on single-phase AC supply. They are double-insulated in accordance with European Standard and can, therefore, also be used from sockets without earth wire.

**For public low-voltage distribution systems of between 220 V and 250 V**

Switching operations of electric apparatus cause voltage fluctuations. The operation of this device under unfavorable mains conditions can have adverse effects to the operation of other equipment. With a mains impedance equal or less than 0.42 Ohms it can be presumed that there will be no negative effects.

The mains socket used for this device must be protected with a fuse or protective circuit breaker having slow tripping characteristics.

**SAFETY INSTRUCTIONS**

**Warning! When using electric tools, basic safety precautions should always be followed to reduce the risk of fire, electric shock and personal injury, including the following. Read all these instructions before attempting to operate this product and save these instructions.**

**For safe operation:**

1. **Keep work area clean**  
Cluttered areas and benches invite injuries.
2. **Consider work area environment**  
Don't expose power tools to rain. Don't use power tools in damp or wet locations. Keep work area well lit. Don't use power tools in presence of flammable liquids or gases.

**3. Guard against electric shock**

Prevent body contact with grounded surfaces (e.g. pipes, radiators, ranges, refrigerators).

**4. Keep children away**

Do not let visitors contact tool or extension cord. All visitors should be kept away from work area.

**5. Store idle tools**

When not in use, tools should be stored in dry, high, or locked-up place, out of the reach of children.

**6. Don't force tool**

It will do the job better and safer at the rate for which it was intended.

**7. Use right tool**

Don't force small tools or attachments to do the job of a heavy duty tool. Don't use tools for purposes not intended; for example, don't use circular saw for cutting tree limbs or logs.

**8. Dress properly**

Do not wear loose clothing or jewelry. They can be caught in moving parts. Rubber gloves and non-skid footwear are recommended when working outdoors. Wear protective hair covering to contain long hair.

**9. Use safety glasses and hearing protection**

Also use face or dust mask if cutting operation is dusty.

**10. Connect dust extraction equipment**

If devices are provided for the connection of dust extraction and collection facilities, ensure these are connected and properly used.

**11. Don't abuse cord**

Never carry tool by cord or yank it to disconnect it from receptacle. Keep cord from heat, oil and sharp edges.

**12. Secure work**

Use clamps or a vise to hold work. It's safer than using your hand and it frees both hands to operate tool.

**13. Don't overreach**

Keep proper footing and balance at all times.

**14. Maintain tools with care**

Keep tools sharp and clean for better and safer performance. Follow instructions for lubricating and changing accessories. Inspect tool cords periodically and, if damaged, have repaired by authorized service facility. Inspect extension cords periodically and replace if damaged. Keep handles dry, clean and free from oil and grease.

15. **Disconnect tools**  
When not in use, before servicing, and when changing accessories such as blades, bits and cutters.
16. **Remove adjusting keys and wrenches**  
Form the habit of checking to see that keys and adjusting wrenches are removed from tool before turning it on.
17. **Avoid unintentional starting**  
Don't carry plugged-in tool with finger on switch. Be sure switch is off when plugging in.
18. **Outdoor use extension cords**  
When tool is used outdoors, use only extension cords intended for use outdoors and so marked.
19. **Stay alert**  
Watch what you are doing. Use common sense. Do not operate tool when you are tired.
20. **Check damaged parts**  
Before further use of the tool, a guard or other part that is damaged should be carefully checked to determine that it will operate properly and perform its intended function. Check for alignment of moving parts, binding of moving parts, breakage of parts, mounting, and any other conditions that may affect its operation. A guard or other part that is damaged should be properly repaired or replaced by an authorized service center unless otherwise indicated elsewhere in this instruction manual. Have defective switches replaced by and authorized service center. Do not use tool if switch does not turn it on and off.

#### 21. **Warning**

The use of any other accessory or attachment other than recommended in this operating instruction or the catalog may present a risk of personal injury.

#### 22. **Have your tool repaired by an expert**

This electric appliance is in accordance with the relevant safety rules. Repairing of electric appliances may be carried out only by experts otherwise it may cause considerable danger for the user.

### ADDITIONAL SAFETY RULES

1. **Rags, cloth, cord, string and the like should never be left around the work area.**
2. **Avoid cutting nails. Inspect for and remove all nails from the workpiece before operation.**
3. **Handle the blades very carefully.**
4. **Be sure the blade installation bolts are securely tightened before operation.**
5. **Hold the tool firmly with both hands.**
6. **Keep hands away from rotating parts.**
7. **Before using the tool on an actual workpiece, let it run for a while. Watch for vibration or wobbling that could indicate poor installation or a poorly balanced blade.**
8. **Make sure the blade is not contacting the workpiece before the switch is turned on.**
9. **Wait until the blade attains full speed before cutting.**
10. **Keep at least 200 mm away from the tool at all times.**

11. **Always switch off and wait for the blades to come to a complete stop before any adjusting.**
12. **Never stick your finger into the chip chute. Chute may jam when cutting damp wood. Clean out chips with a stick.**
13. **Do not leave the tool running. Operate the tool only when hand-held.**
14. **When leaving the planer, switch off and set it with the front base up on a wooden block, so that the blades do not contact anything.**
15. **Always change both blades or covers on the drum, otherwise the resulting imbalance will cause vibration and shorten tool life.**
16. **Wait for complete run-down before putting the tool aside.**
17. **Use only Makita blades specified in this manual.**

### SAVE THESE INSTRUCTIONS.

### OPERATING INSTRUCTIONS

#### Removing or installing planer blades (Fig. 1, 2 & 3)

Important:

- Always be sure that tool is switched off and unplugged before removing or installing the blade.
- Use the following planer blades.  
Part Nos. 793186-4  
\*P-04254

Blades with \* mark are available in European countries only. Consult your dealer or the Makita Service Center when purchasing blades.

To remove the blades on the drum, unscrew the five installation bolts with the hex wrench. The drum cover comes off together with the blades.

To install the blades, first clean out all chips or foreign matter adhering to the drum or blades. Use blades of the same dimensions and weight, or drum oscillation /vibration will result, causing poor planing action and eventually tool breakdown.

There are two adjusting screws for each blade. When installing the blade, the notch in the blade should fit over the head of the adjusting screw. Then fit on the drum cover and secure the five bolts only finger-tight.

Turn the drum until the blade edge is right in the middle between the front and rear bases.

Place the triangular rule flat on the rear base and run it out over and across the blade edge. Turn the two adjusting screws to adjust the blade protrusion. The blade setting should be made so that the protrusion will be uniform all the way across. Thus the triangular rule should be flush with the entire width of the blade edge. After adjusting both blades, tighten the five installation bolts evenly and alternately with the hex wrench.

After tightening the bolts, secure the adjusting screws fully.

#### CAUTION:

Tighten the blade installation bolts carefully when attaching the blades to the tool. A loose installation bolt can be dangerous. Always check to see they are tightened securely.

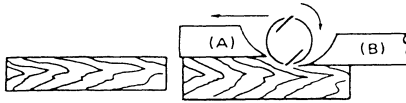
### For the correct planer blade setting

Your planing surface will end up rough and uneven, unless the blade is set properly and securely. The blade must be mounted so that the cutting edge is absolutely level, that is, parallel to the surface of the rear base. Below are some examples of proper and improper settings.

(A) Front base (Movable shoe)

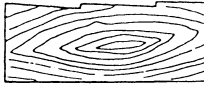
(B) Rear base (Stationary shoe)

Correct setting



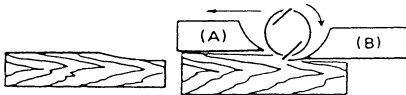
Although this side view cannot show it, the edges of the blades run perfectly parallel to the rear base surface.

Nicks in surface



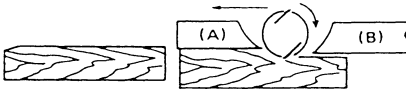
Cause: One or both blades fails to have edge parallel to rear base line.

Gouging at start



Cause: One or both blade edges fails to protrude enough in relation to rear base line.

Gouging at end



Cause: One or both blade edges protrudes too far in relation to rear base line.

### Adjusting the depth of cut (Fig. 4)

Depth of cut may be adjusted by simply turning the knob on the front of the tool.

### Switch action

#### CAUTION:

Before plugging in the tool, always check to see that the switch trigger actuates properly and returns to the "OFF" position when released.

### For tool without lock button and lock-off button (Fig. 5)

To start the tool, simply pull the trigger. Release the trigger to stop.

### For tool with lock button (Fig. 6)

To start the tool, simply pull the trigger. Release the trigger to stop. For continuous operation, pull the trigger and then push in the lock button. To stop the tool from the locked position, pull the trigger fully, then release it.

### For tool with lock-off button (Fig. 7)

To prevent the trigger from being accidentally pulled, a lock-off button is provided. To start the tool, press the lock-off button and pull the trigger. Release the trigger to stop.

### Planing operation (Fig. 8)

First, rest the tool front base flat upon the workpiece surface without the blades making any contact. Switch on and wait until the blades attain full speed. Then move the tool gently forward. Apply pressure on the front of tool at the start of planing, and at the back at the end of planing. Planing will be easier if you incline the workpiece in stationary fashion, so that you can plane somewhat downhill.

The speed and depth of cut determine the kind of finish. The power planer keeps cutting at a speed that will not result in jamming by chips. For rough cutting, the depth of cut can be increased, while for a good finish you should reduce the depth of cut and advance the tool more slowly.

### Sharpening the planer blades (Fig. 9, 10 & 11)

Always keep your blades sharp for the best performance possible. Use the sharpening holder to remove nicks and produce a fine edge.

First, loosen the two wing nuts on the holder and insert the blades (A) and (B), so that they contact the sides (C) and (D). Then tighten the wing nuts.

Immerse the dressing stone in water for 2 or 3 minutes before sharpening. Hold the holder so that the blades both contact the dressing stone for simultaneous sharpening at the same angle.

## **Connecting a vacuum cleaner**

### **For European countries and areas (Fig. 12 & 13)**

When you wish to perform clean planing operation, connect a Makita vacuum cleaner to your tool. Install the nozzle (standard equipment) on the tool using the screws provided. Then connect a hose of the vacuum cleaner to the nozzle as shown in **Fig. 13**.

### **For other countries and areas**

A nozzle and joint (optional accessories) are necessary to connect a Makita vacuum cleaner to your tool. Consult a Makita catalogue or representative on the nozzle and joint.

## **MAINTENANCE**

### **CAUTION:**

Always be sure that the tool is switched off and unplugged before carrying out any work on the tool.

### **Replacement of carbon brushes (Fig. 14, 15 & 16)**

Replace carbon brushes when they are worn down to the limit mark. First, remove the chip cover and then replace the carbon brushes. Both identical carbon brushes should be replaced at the same time.

To maintain product safety and reliability, repairs, maintenance or adjustment should be carried out by a Makita Authorized Service Center.



### **Noise and Vibration**

The typical A-weighted noise levels are  
sound pressure level: 90 dB (A)  
sound power level: 103 dB (A)  
– Wear ear protection. –

The typical weighted root mean square acceleration value is not more than 2.5 m/s<sup>2</sup>.

### **EC-DECLARATION OF CONFORMITY**

The undersigned, Yasuhiko Kanzaki, authorized by Makita Corporation, 3-11-8 Sumiyoshi-Cho, Anjo, Aichi, 446-8502 Japan declares that this product (Serial No. : series production)

manufactured by Makita Corporation in Japan is in compliance with the following standards or standardized documents,

HD400, EN50144, EN55014, EN61000

in accordance with Council Directives, 73/23/EEC, 89/336/EEC and 98/37/EC.

*Yasuhiko Kanzaki* **CE94**



Director

**MAKITA INTERNATIONAL EUROPE LTD.**

Michigan Drive, Tongwell, Milton Keynes,  
Bucks MK15 8JD, ENGLAND

## Übersicht

1 Innensechskantschlüssel	10 Tiefeneinstellknopf	19 Messer (B)
2 Messerklemmschraube	11 Schalter	20 Kante (C)
3 Einstellschraube	12 Einschaltsperr	21 Kante (D)
4 Hobelmesser	13 Arretierknopf	22 Späneabführung
5 Messernut	14 Werkstückbeginn	23 Makita-Absauggerät
6 Messerklemmplatte	15 Werkstückende	24 Verschleißgrenze
7 Messerwelle	16 Messerhalter	25 Abdeckung für Spanauswurf
8 Dreieck	17 Flügelmutter	26 Bürstenhalterkappe
9 Schraubendreher	18 Messer (A)	

## TECHNISCHE DATEN

<b>Modell</b>	<b>1806B</b>
Hobelbreite .....	170 mm
Spanabnahme stufenlos .....	2 mm
Leerlaufdrehzahl .....	15 000 min <sup>-1</sup>
Gesamtlänge .....	529 mm
Nettogewicht .....	8,8 kg

- Wir behalten uns vor, Änderungen im Zuge der Entwicklung und des technischen Fortschritts ohne vorherige Ankündigung vorzunehmen.
- Hinweis: Die technischen Daten können von Land zu Land abweichen.

### Netzanschluß

Die Maschine darf nur an die auf dem Typenschild angegebene Netzspannung angeschlossen werden und arbeitet nur mit Einphasen- Wechselspannung. Sie ist entsprechend den Europäischen Richtlinien doppelt schutzisoliert und kann daher auch an Steckdosen ohne Erdanschluß betrieben werden.

### Für öffentliche Niederspannungs-Verteilungssysteme mit einer Spannung zwischen 220 und 250 V

Schaltvorgänge von Elektrogeräten verursachen Spannungsschwankungen. Der Betrieb dieses Gerätes unter ungünstigen Netzstrombedingungen kann sich nachteilig auf den Betrieb anderer Geräte auswirken. Bei einer Netzstromimpedanz von 0,42 Ohm oder weniger ist anzunehmen, dass keine negativen Effekte auftreten. Die für dieses Gerät verwendete Netzsteckdose muss durch eine Sicherung oder einen Schutzschalter mit trägen Auslösungseigenschaften geschützt sein.

## SICHERHEITSHINWEISE

**Achtung! Beim Gebrauch von Elektrowerkzeugen sind zum Schutz gegen elektrischen Schlag, Verletzung und Brandgefahr folgende grundsätzlichen Sicherheitsmaßnahmen zu beachten.**

**Lesen und beachten Sie diese Hinweise, bevor Sie das Gerät benutzen.**

- Halten Sie Ihren Arbeitsbereich in Ordnung**  
Unordnung im Arbeitsbereich ergibt Unfallgefahr.
- Berücksichtigen Sie Umgebungseinflüsse**  
Setzen sie Elektrowerkzeuge nicht dem Regen aus. Benützen Sie Elektrowerkzeuge nicht in feuchter oder nasser Umgebung. Sorgen Sie für gute Beleuchtung. Benützen Sie Elektrowerkzeuge nicht in Nähe von brennbaren Flüssigkeiten oder Gasen.

### 3. Schützen Sie sich vor elektrischem Schlag

Vermeiden Sie Körperberührung mit geerdeten Teilen, zum Beispiel Rohren, Heizkörpern, Herden, kühltschränken.

### 4. Halten Sie Kinder fern!

Lassen Sie andere Personen nicht das Werkzeug oder Kabel berühren, halten Sie sie von Ihrem Arbeitsbereich fern.

### 5. Bewahren Sie Ihre Werkzeuge sicher auf

Unbenutzte Werkzeuge sollten in trockenem, verschlossenem Raum und für Kinder nicht erreichbar aufbewahrt werden.

### 6. Überlasten Sie Ihr Werkzeug nicht

Sie arbeiten besser und sicherer im angegebenen Leistungsbereich.

### 7. Benützen Sie das richtige Werkzeug

Verwenden Sie keine zu schwachen Werkzeuge oder Vorsatzgeräte für schwere Arbeiten. Benützen Sie Werkzeuge nicht für Zwecke und Arbeiten, Wofür sie nicht bestimmt sind; zum Beispiel benützen Sie keine Handkreissäge, um Bäume zu fällen oder Äste zu schneiden.

### 8. Tragen Sie geeignete Arbeitskleidung

Tragen Sie keine weite Kleidung oder Schmuck. Sie können von beweglichen Teilen erfaßt werden. Bei Arbeiten im Freien sind Gummihandschuhe und rutschfestes Schuhwerk empfehlenswert. Tragen Sie bei langen Haaren ein Haarnetz.

### 9. Schutzbrille und Gehörschutz tragen

Verwenden Sie eine Atemmaske bei stauberzeugenden Arbeiten.

### 10. Schließen Sie eine Staubabsaugvorrichtung an

Wenn Geräte für den Anschluß von Staubabsaug- und-sammelvorrichtungen ausgelegt sind, sorgen Sie dafür, daß Jiese angeschlossen und korrekt benutzt werden.

### 11. Zweckentfremden Sie nicht das Kabel

Tragen Sie das Werkzeug nicht am Kabel, und benützen Sie es nicht, um den Stecker aus der Steckdose zu ziehen. Schützen Sie das Kabel vor Hitze, Öl und scharfen Kanten.

### 12. Sichern Sie das Werkstück

Benützen Sie Spannvorrichtungen oder einen Schraubstock, um das Werkstück festzuhalten. Es ist damit sicherer gehalten als mit Ihrer Hand und ermöglicht die Bedienung der Maschine mit beiden Händen.

### 13. Überdehnen Sie nicht Ihren Standbereich

Vermeiden Sie abnormale Körperhaltung. Sorgen Sie für sicheren Stand, und halten Sie jederzeit das Gleichgewicht.

14. **Pflegen Sie Ihre Werkzeuge mit Sorgfalt**  
Halten Sie Ihre Werkzeuge scharf und sauber, um gut und sicher zu arbeiten. Befolgen Sie die Wartungsvorschriften und die Hinweise für Werkzeugwechsel. Kontrollieren Sie regelmäßig den Stecker und das Kabel, und lassen Sie diese bei Beschädigung von einem anerkannten Fachmann erneuern. Kontrollieren Sie Verlängerungskabel regelmäßig und ersetzen Sie beschädigte. Halten Sie Handgriffe trocken und frei von Öl und Fett.
15. **Ziehen Sie den Netzstecker**  
Bei Nichtgebrauch, vor der Wartung und beim Werkzeugwechsel, wie zum Beispiel Sägeblatt, Bohrer und Maschinenwerkzeugen aller Art.
16. **Lassen Sie keine Werkzeugschlüssel stecken**  
Überprüfen Sie vor dem Einschalten, daß die Schlüssel und Einstellwerkzeuge entfernt sind.
17. **Vermeiden Sie unbeabsichtigten Anlauf**  
Tragen Sie keine an das Stromnetz angeschlossene Werkzeuge mit dem Finger am Schalter. Vergewissern Sie sich, daß der Schalter beim Anschluß an das Stromnetz ausgeschaltet ist.
18. **Verlängerungskabel im Freien**  
Verwenden Sie im Freien nur dafür zugelassene und entsprechend gekennzeichnete Verlängerungskabel.
19. **Seien Sie stets aufmerksam**  
Beobachten Sie Ihre Arbeit. Gehen Sie vernünftig vor. Verwenden Sie das Werkzeug nicht, wenn Sie unkonzentriert sind.
20. **Kontrollieren Sie Ihr Gerät auf Beschädigungen**  
Vor weiterem Gebrauch des Werkzeugs die Schutzeinrichtungen oder leicht beschädigte Teile sorgfältig auf ihre einwandfreie und bestimmungsgemäße Funktion überprüfen. Überprüfen Sie, ob die Funktion beweglicher Teile in Ordnung ist, ob sie nicht klemmen oder ob Teile beschädigt sind. Sämtliche Teile müssen richtig montiert sein und alle Bedingungen erfüllen, um den einwandfreien Betrieb des Gerätes zu gewährleisten.  
Beschädigte Schutzvorrichtungen und Teile sollen sachgemäß durch eine Kundendienstwerkstatt repariert oder ausgewechselt werden, soweit nichts anderes in den Betriebsanleitungen angegeben ist. Beschädigte Schalter müssen bei einer Kundendienstwerkstatt ersetzt werden. Benutzen Sie keine Werkzeuge, bei denen sich der Schalter nicht ein und ausschalten läßt.
21. **Achtung!**  
Zu Ihrer eigenen Sicherheit, benützen Sie nur Zubehör und Zusatzgeräte, die in der Bedienungsanleitung angegeben oder vom Werkzeug-Hersteller empfohlen oder angegeben werden. Der Gebrauch anderer als der in der Bedienungsanleitung oder im Katalog empfohlenen Einsatzwerkzeuge oder Zubehörteile kann eine persönliche Verletzungsgefahr für Sie bedeuten.
22. **Reparaturen nur vom Elektrofachmann.**  
Dieses Elektrowerkzeug entspricht den einschlägigen Sicherheitsbestimmungen. Reparaturen dürfen nur von einer Elektrofachkraft ausgeführt werden, andernfall

## ZUSÄTZLICHE SICHERHEITSBESTIMMUNGEN

1. **Putztücher, Kleidung, Anschlußleitungen, u. a. sollten nicht in der Nähe des Arbeitsplatzes liegen.**
2. **Prüfen Sie das Werkstück und entfernen Sie Nägel, Schrauben und andere Fremdkörper vor Arbeitsbeginn.**
3. **Die Hobelmesser sind sorgfältig zu schützen.**
4. **Stellen Sie sicher, daß die Messerklemmschrauben vor Beginn der Arbeit fest angezogen sind.**
5. **Halten Sie die Maschine mit beiden Händen fest.**
6. **Halten Sie Ihre Hände nicht in die Nähe von rotierenden Teilen.**
7. **Lassen Sie die Maschine eine Weile im Leerlauf laufen, bevor Sie mit der Arbeit an einem Werkstück beginnen. Achten Sie auf Vibrationen und Schlägen; beides gibt Aufschluß über ein schlecht ausgewuchtetes Messer oder nicht fachgerechten Einbau.**
8. **Stellen Sie sicher, daß das Hobelmesser nicht mit dem Werkstück in Berührung kommt, bevor Sie einschalten.**
9. **Beginnen Sie mit der Arbeit erst, nachdem das Hobelmesser die volle Leerlaufdrehzahl erreicht hat.**
10. **Halten Sie jederzeit einen Sicherheitsabstand von mindestens 20 cm zur Maschine.**
11. **Schalten Sie das Gerät stets vor Beginn etwaiger Einstellarbeiten aus und ziehen Sie den Netzstecker. Warten Sie, bis die Maschine zum Stillstand gekommen ist.**
12. **Halten Sie niemals einen Finger in den Spanauswurf. Der Spanauswurf kann verstopfen, wenn Sie feuchtes Holz hobeln. Entfernen Sie vorsichtig die Späne im Bereich des Spanauswurfs, aber nur bei ausgeschalteter Maschine.**
13. **Lassen Sie das Werkzeug nicht unbeaufsichtigt laufen. Schalten Sie das Gerät nur ein, während Sie es in der Hand halten.**
14. **Schalten Sie nach Beendigung der Arbeit die Maschine aus und stellen Sie diese auf eine Ablagefläche, so daß die vordere Hobelsohle nach oben zeigt und das Hobelmesser nicht mit anderen Gegenständen in Berührung kommt.**
15. **Wechseln Sie stets Hobelmesser oder Messerklemmplatten paarweise aus, um Unwucht der Messerwelle zu vermeiden, die Vibrationen erzeugt und die Lebensdauer der Maschine verkürzt.**
16. **Nach dem Hobeln muß erst der Stillstand der Messerwelle abgewartet werden. Erst dann darf die Maschine abgelegt bzw. abgestellt werden.**
17. **Wechseln Sie die Messer rechtzeitig, da stumpfe Messer die Rückschlaggefahr erhöhen und durch Drehzahlabfall den Späneauswurf leicht verstopfen. Verwenden Sie nur Original Makita-Hobelmesser, da bei Verwendung von Fremdzubehör in Verbindung mit dieser Maschine Verletzungsgefahr besteht.**

**BEWAHREN SIE DIESE HINWEISE  
SORGFÄLTIG AUF.**

## BEDIENUNGSHINWEISE

### Aus- und Einbau der Hobelmesser (Abb. 1, 2 u. 3)

Wichtig:

- Vergewissern Sie sich, daß die Maschine ausgeschaltet und der Netzstecker gezogen ist, bevor Sie die Hobelmesser aus- oder einbauen.
- Die folgenden Hobelmesser können verwendet werden.

Teile-Nr. 793186-4

\*P-04254

Die mit einem Sternzeichen \* gekennzeichneten Hobelmesser sind nur in Europa lieferbar. Bitte lassen Sie sich beim Kauf von Hobelmessern von Ihrem Händler oder einer Makita-Kundendienstzentrale beraten.

Zum Ausbau der Hobelmesser lösen Sie mit dem mitgelieferten Montagewerkzeug die Innensechskantschrauben.

Die Messerklemmplatte der Messerwelle kann zusammen mit den Hobelmessern abgenommen werden.

Vor dem Einbau die Hobelmesser reinigen, um Späne und Fremdkörper zu entfernen. Stets Hobelmesser mit gleicher Größe und gleichem Gewicht verwenden. Unwucht durch ungleiche Hobelmesser beeinträchtigt die Hobelleistung und Lebensdauer der Maschine.

Drehen Sie die Messerwelle, bis die Messerschneide am höchsten Punkt des Messerflugkreises steht. Setzen Sie das Dreieck mit der Basis flach auf die Hobelsohle und schieben Sie es über die Messerschneide. Drehen Sie die beiden Einstellschrauben mit dem Innensechskantschlüssel, um die Messer fluchtend mit der hinteren Hobelsohle einzustellen. Diese Einstellung muß sowohl auf der linken und rechten Messerseite als auch für beide Spannelemente durchgeführt werden. Nach der Einstellung ziehen Sie die fünf Innensechskantschrauben mit dem Montagewerkzeug gleichmäßig und abwechselnd fest. Danach erfolgt nochmals eine Kontrolle der Einstellung und ggf. Korrektur.

**VORSICHT:**

Ziehen Sie die Innensechskantschrauben sorgfältig an, nicht festsitzende Schrauben können zur Gefahrenquelle werden.

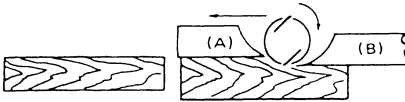
### Auswirkungen von Messerfehlereinstellungen

Fehlereinstellung der Hobelmesser führt zu ungleichmäßigem und unsauberem Hobelergbnissen. Bei richtiger Einstellung befindet sich das Messer fluchtend mit der hinteren Hobelsohle. Die folgenden Beispiele veranschaulichen einige richtige und falsche Einstellungen.

(A) vordere Hobelsohle

(B) hintere Hobelsohle

Richtige  
Einstellung



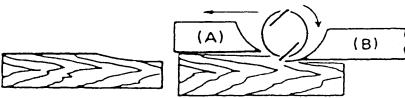
In dieser Seitenansicht nicht zu erkennen, liegen die Messer genau parallel zur hinteren Hobelsohle

Oberflächenvorsprünge



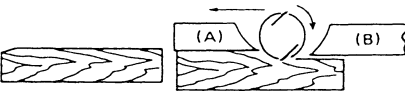
Ursache: mindestens ein Messer schräg eingebaut

Kehlung  
beim Ansetzen



Ursache: Messer zu tief eingebaut

Kehlung  
beim Abheben



Ursache: mindestens ein Messer zu weit vorstehend eingebaut

### **Einstellung der Spanabnahme (Abb. 4)**

Die Spanabnahme kann durch Drehen des Tiefeneinstellknopfes an der Vorderseite der Maschine eingestellt werden.

### **Schalterbedienung**

#### **VORSICHT:**

Überprüfen Sie vor dem Anschließen der Maschine an das Stromnetz stets, ob der Schalter ordnungsgemäß funktioniert und beim Loslassen in die AUS-Stellung zurückkehrt.

#### **Werkzeug ohne Einschaltsperrung und Arretierknopf (Abb. 5)**

Zum Einschalten der Maschine den Schalter drücken. Zum Ausschalten wieder loslassen.

#### **Werkzeug mit Arretierknopf (Abb. 6)**

Zum Einschalten der Maschine den Schalter drücken. Zum Ausschalten wieder loslassen. Für Dauerbetrieb den Schalter und den Arretierknopf drücken. Zum Ausschalten den arretierten Schalter nochmals drücken und wieder loslassen.

#### **Werkzeug mit Einschaltsperrung (Abb. 7)**

Um ein versehentliches Betätigen des Schalters zu verhindern, ist bei diesem Modell eine Einschaltsperrung eingebaut. Zum Einschalten der Maschine erst die Einschaltsperrung und dann den Schalter drücken. Zum Ausschalten den Schalter wieder loslassen.

### **Hobelbetrieb (Abb. 8)**

Setzen Sie zuerst die vordere Hobelsohle auf das Werkstück, ohne daß die Hobelmesser mit dem Werkstück oder etwas anderem in Berührung kommen. S halten Sie den Hobel ein und warten Sie, bis die Messerwelle die volle Drehzahl erreicht hat. Bewegen Sie dann den Hobel langsam vorwärts. Üben Sie zuerst Druck im Bereich der vorderen Hobelsohle und am Ende des Werkstücks Druck auf die hintere Hobelsohle aus. Das Hobeln kann durch schräge Montage des Werkstückes erleichtert werden, wenn abwärts gehobelt wird. Vorschub und Spanabnahme bestimmen die Oberflächengüte!

### **Schärfen der HSS-Hobelmesser (Abb. 9, 10 u. 11)**

Halten Sie Ihre Messer immer scharf, um bestmögliche Leistung zu erhalten. Benutzen Sie den Messerhalter beim Schleifen mit Schleifgeräten, um die Schneiden zu schärfen und Beschädigungen auszuschleifen.

Lösen Sie zuerst die beiden Flügelmuttern auf dem Messerhalter und setzen Sie die Messer (A) und (B) so ein, daß Sie an den Kanten (C) und (D) anliegen. Ziehen Sie dann die Flügelmuttern fest.

Wässern Sie den Schleifstein einige Minuten, bevor Sie schleifen. Führen Sie den Messerhalter so, daß beide Messer den Stein berühren, um ein gleichzeitiges Schleifen unter dem gleichen Winkel zu gewährleisten.

### **Anschluß einer Absaugvorrichtung**

#### **Für Europa (Abb. 12 u. 13)**

Für spanfreies Hobeln kann eine Makita-Absaugvorrichtung an das Werkzeug angeschlossen werden. Die Saugdüse (im Lieferumfang) mit den mitgelieferten Schrauben am Werkzeug befestigen. Dann den Schlauch der Absaugvorrichtung wie in **Abb. 13** gezeigt an die Saugdüse anschließen.

### **Außereuropäische Länder**

Zum Anschluß eines Makita-Absauggerätes an die Maschine sind Späneabführung und Absaugstutzen (Sonderzubehör) erforderlich. Einzelheiten über Späneabführung und Absaugstutzen entnehmen Sie einem Makita-Katalog oder erfahren Sie bei Ihrem Makita-Fachhändler.

### **WARTUNG**

#### **VORSICHT:**

Vor Arbeiten an der Maschine vergewissern Sie sich, daß sich der Schalter in der "OFF"-Position befindet und der Netzstecker gezogen ist.

#### **Austausch der Kohlebürsten (Abb. 14, 15 u. 16)**

Die Kohlebürsten müssen bei Erreichen der Verschleißgrenze ersetzt werden. Zunächst die Späneabführung entfernen und dann die Kohlebürsten austauschen. Die Bürsten stets paarweise austauschen und nur identische Kohlebürsten verwenden.

Um die Sicherheit und Zuverlässigkeit dieses Gerätes zu gewährleisten, sollten Reparatur-, Wartungs- und Einstellarbeiten nur von durch Makita autorisierten Werkstätten oder Kundendienstzentren unter ausschließlicher Verwendung von Makita-Originalersatzteilen ausgeführt werden.

### **Geräusch- und Vibrationsentwicklung**

Die typischen A-bewerteten Geräuschpegel betragen:

Schalldruckpegel: 90 dB (A)

Schalleistungspegel: 103 dB (A)

– Gehörschutz tragen. –

Der gewichtete Effektivwert der Beschleunigung beträgt nicht mehr als  $2,5 \text{ m/s}^2$ .

### **CE-KONFORMITÄTSERKLÄRUNG**

Hiermit erklärt der Unterzeichnete, Yasuhiko Kanzaki, Bevollmächtigter von Makita Corporation, 3-11-8

Sumiyoshi-Cho, Anjo, Aichi 446-8502 Japan, daß dieses von der Firma Makita Corporation in Japan hergestellte Produkt

(Serien-Nr.: Serienproduktion)

gemäß den Ratsdirektiven 73/23/EWG, 89/336/EWG und 98/37/EG mit den folgenden Normen bzw. Normendokumenten übereinstimmen:

HD400, EN50144, EN55014, EN61000.

*Yasuhiko Kanzaki* **CE94**



Direktor

**MAKITA INTERNATIONAL EUROPE LTD.**

Michigan Drive, Tongwell, Milton Keynes,  
Bucks MK15 8JD, ENGLAND

1 Klucz sześciokątny	10 Gałka	19 Nóż (B)
2 Śruba	11 Spust włącznika	20 Strona (C)
3 Śruba regulacyjna	12 Przycisk pracy ciągłej	21 Strona (D)
4 Nóż strugarki	13 Przycisk blokady	22 Dysza
5 Nacięcie na nożu	14 Rozpoczęcia	23 Odkurzacz Makita
6 Obudowa bębna	15 Zakończenie	24 Znak limitu
7 Bęben	16 Uchwyt ostrzałki	25 Ochrona przed strużynami
8 Ekierka	17 Nakrętka motylkowa	26 Pokrywa pojemnika na szczoteczke
9 Śrubokręt	18 Nóż (A)	

## DANE TECHNICZNE

<b>Model</b>	<b>1806B</b>
Szerokość strugania .....	170 mm
Głębokość strugania .....	2 mm
Prędkość bez obciążenia (min <sup>-1</sup> ) .....	15000
Całkowita długość .....	529 mm
Ciężar netto .....	8,8 kg

- Ze względu na prowadzony program udoskonalień i badań, podane dane techniczne mogą zostać zmienione bez uprzedzenia.
- Uwaga: Dane techniczne mogą się różnić w zależności od kraju.

### Zasilanie

Urządzenie to, powinno być podłączone tylko do źródła zasilania o takim samym napięciu jak pokazano na tabliczce znamionowej i może być używane tylko dla zmiennego prądu jednofazowego. Zgodnie ze standardami Unii Europejskiej zastosowano podwójną izolację i dlatego też możliwe jest zasilanie z gniazda bez uziemienia.

### Przy korzystaniu z publicznych systemów dystrybucji zasilania o niskim napięciu od 220 V do 250 V.

Czynność włączania lub wyłączania urządzeń elektrycznych powoduje fluktuacje napięcia. Używanie niniejszego urządzenia w niekorzystnych warunkach zasilania sieciowego, może zakłócić działanie innych urządzeń. Można przyjąć, że jeżeli oporność zasilania sieciowego jest mniejsza lub równa 0,42 Ohma, wówczas nie wystąpią żadne zakłócenia. Gniazdo zasilania użyte do niniejszego urządzenia musi być chronione bezpiecznikiem lub ochronnym obwodem rozłączającym, z charakterystyką powolnego wyłączenia.

## INSTRUKCJE BEZPIECZEŃSTWA

**Ostrzeżenie! Używając urządzeń elektrycznych podstawowe środki ostrożności muszą być zawsze zachowane, aby zmniejszyć ryzyko ognia, porażenia prądem i uszkodzenia ciała, włączając poniższe. Przeczytaj wszystkie podane instrukcje przed próbą użycia tego produktu i zachowaj je do wglądu.**

### Dla bezpiecznego użycia:

- 1. Utrzymuj miejsce pracy w czystości**  
Zabłażone miejsca i stoły warsztatowe sprzyjają wypadkom.
- 2. Zastanów się nad warunkami pracy**  
Nie wystawiaj urządzeń elektrycznych na deszcz. Nie używaj urządzeń elektrycznych w wilgotnych lub mokrych miejscach. Utrzymuj miejsce pracy dobrze oświetlone. Nie używaj urządzeń elektrycznych w obecności łatwopalnych płynów lub gazów.
- 3. Chroni się przed porażeniem prądem**  
Zapobiegaj kontaktom ciała z uziemionymi powierzchniami (np. rurami, grzejnikami, kuchenkami, lodówkami).
- 4. Nie pozwalaj zbliżać się dzieciom**  
Nie pozwalaj wizytującym osobom dotykać urządzenia lub przedłużacza. Wszystkie wizytujące osoby nie powinny zbliżać się do miejsca pracy.
- 5. Zachowaj nieczynne urządzenia**  
Nieużywane urządzenia powinny być przechowywane w suchych, wysokich lub zamkniętych miejscach tak, aby były niedostępne dla dzieci.
- 6. Nie przeciążaj urządzenia**  
Wykona ono pracę lepiej i bezpieczniej, pracując w sposób, dla którego zostało zaprojektowane.
- 7. Używaj poprawnego urządzenia**  
Nie nadużywaj małych lub dodatkowych urządzeń do wykonania pracy urządzeń do dużej pracy. Nie używaj urządzeń do celów, do których nie zostały przeznaczone; na przykład, nie używaj piły tarczowej do przecinania gałęzi lub kłód drzew.
- 8. Ubierz się odpowiednio**  
Nie noś luźnych ubrań lub biżuterii. Mogą one zostać zahaczone o ruchome części. Gumowe rękawiczki i przeciwpoślizgowe buty są wskazane przy pracy na dworze. Zaleca się noszenie ochrony na głowę przytrzymującej długie włosy.
- 9. Użyj okularów ochronnych i ochraniaczy uszu**  
Użyj masek na twarz lub masek przeciwpyłowych jeżeli czynność cięcia wytwarza pyły.
- 10. Podłącz urządzenie usuwające pył**  
Jeżeli urządzenie posiadają podłączenia do urządzeń do usuwania i składowania pyłu, upewnij się, że są one poprawnie podłączone i użyte.

### 11. Uważaj na przewód sieciowy

Nigdy nie noś urządzenia trzymając za przewód i nie odłączaj go od gniazda przez pociągnięcie przewodu. Chroń przewód przed ciepłem, olejem i ostrymi krawędziami.

### 12. Pewnie mocuj obrabiane elementy

Użyj ścisków lub imadła do zamocowania obrabianych elementów. Jest to bezpieczniejsze niż używanie rąk, a dodatkowo zwalnia obie ręce do obsługi urządzenia.

### 13. Używając urządzenie, nie oddalaj go zbyt od siebie

Cały czas trzymaj dobrze ustawione nogi i równowagę.

### 14. Pamiętaj o dobrej konserwacji urządzenia

Utrzymuj urządzenie ostre i czyste dla jego lepszego i bezpieczniejszego działania. Wykonaj podane instrukcje w celu smarowania lub wymiany elementów wyposażenia. Regularnie sprawdzaj przewody urządzenia, i jeżeli są uszkodzone, oddaj je do naprawy do autoryzowanego serwisu. Regularnie sprawdzaj przewody przedłużające i wymień je, jeżeli są uszkodzone. Utrzymuj uchwyty suche, czyste i nie zabrudzone olejem lub smarem.

### 15. Odłącz urządzenie

Przed konserwacją urządzenia lub zmianą wyposażenia takiego jak tarcze, końcówki robocze i noże, gdy nie jest ono używane.

### 16. Wymij klucze regulacyjne

Nabierz zwyczaju sprawdzania czy klucze regulacyjne są usunięte z urządzenia przed jego użyciem.

### 17. Unikaj przypadkowych uruchomień

Nie noś podłączonego urządzenia z palcem na włączniku. Upewnij się, że urządzenie jest wyłączone, gdy je podłączasz do zasilania.

### 18. Zastosuj przedłużacz używając urządzenia na dworze

Gdy urządzenie używane jest na dworze, stosuj tylko przedłużacze przeznaczone i oznaczone do pracy na dworze.

### 19. Bądź uważny

Patrz co robisz. Bądź rozsądny. Nie używaj urządzenia, gdy jesteś zmęczony.

### 20. Sprawdzaj uszkodzone części

Przed dalszym użyciem urządzenia, osłona lub inne części, które są uszkodzone, muszą być uważnie sprawdzone, aby upewnić się, że będą poprawnie działać i wykonywać przeznaczone im funkcje. Sprawdzaj ustawienia ruchomych części, oprawy ruchomych części, pęknięcia części, zamocowania, i jakiegokolwiek inne warunki, które mogą wpływać na działanie. Osłona lub inne części, które są uszkodzone, powinny być naprawione lub wymienione przez autoryzowany serwis, jeżeli w instrukcji nie podano inaczej. Uszkodzone przetłaczarki powinny być wymienione przez autoryzowany serwis. Nie używaj urządzenia, jeżeli włącznik nie może go włączyć lub wyłączyć.

### 21. Ostrzeżenie

Użycie jakiegokolwiek innego wyposażenia lub części dodatkowych innych niż zalecane w tej instrukcji obsługi lub katalogu, może stworzyć ryzyko uszkodzenia ciała.

### 22. Naprawy urządzenia powinny być wykonywane tylko przez specjalistę

To urządzenie jest wykonane zgodnie z odpowiednimi zasadami bezpieczeństwa. Naprawa urządzeń elektrycznych może być wykonana wyłącznie przez specjalistę, gdyż w przeciwnym wypadku może ono stanowić zagrożenie dla użytkownika.

## DODATKOWE INSTRUKCJE BEZPIECZEŃSTWA

1. **Dywany, szmatki, kable, sznury i tym podobne przedmioty nigdy nie powinny być pozostawiane w pobliżu miejsca pracy.**
2. **Unikaj cięcia gwoździ.** Przejrzyj i usuń wszystkie gwoździe ze struganego elementu przed struganiem.
3. **Obchodź się z nożami bardzo ostrożnie.**
4. **Upewnij się przed użyciem urządzenia, że śruby mocujące nóż są pewnie zamocowane.**
5. **Trzymaj urządzenie mocno dwiema rękami.**
6. **Trzymaj ręce z dala od obrotowych części urządzenia.**
7. **Pozostaw urządzenie przez chwilę działające przed użyciem go na struganym elemencie. Uważnie obserwuj drgania lub bicie osiowe, które może wskazywać na złą instalację lub źle wyważony nóż.**
8. **Upewnij się, że nóż nie jest w kontakcie ze struganym elementem przed włączeniem urządzenia.**
9. **Poczekaj, aż nóż osiągnie pełną prędkość, przed rozpoczęciem strugania.**
10. **Cały czas trzymaj się z dala od urządzenia na co najmniej 200 mm.**
11. **Zawsze wyłącz urządzenie i poczekaj z wykonywaniem jakichkolwiek regulacji do całkowitego zatrzymania się noży.**
12. **Nigdy nie wkładaj palca do rynny dla wiórów.** Rynna może się zablokować, gdy strugane jest wilgotne drewno. Wyczyść wióry używając patyczka.
13. **Nie pozostawiaj urządzenia działającego. Używaj urządzenia tylko, gdy jest trzymane w rękach.**
14. **Gdy pozostawiasz strugarę, wyłącz ją i połóż na drewnianym bloku tak, aby jej baza zwrócona była do góry i żeby noże nie dotykały niczego.**
15. **Zawsze zmieniaj oba noże lub pokrywy bębna, nie wykonanie tego spowoduje złe wywarzenie noży, co prowadzi do drgań i skrócenia żywotności urządzenia.**



16. Przed odłożeniem urządzenia, poczekaj do jego pełnego zatrzymania.

17. Używaj tylko noży Makita określonych w tej instrukcji obsługi.

## ZACHOWAJ TĘ INSTRUKCJĘ.

## INSTRUKCJA OBSŁUGI

### Wymywanie lub instalowanie noży strugarki (Rys. 1, 2 i 3)

Ważne:

- Zawsze upewnij się, że urządzenie jest wyłączone i odłączone od zasilania, przed wymowaniem lub instalowaniem noży.
- Używaj wyszczególnionych poniżej noży strugarki. Numery części .793186-4 \*P-04254

Noże z oznaczeniami \* są dostępne tylko w krajach europejskich. Przy zakupie noży, skonsultuj się z dealerem lub centrum serwisowym Makita.

Aby zdjąć noże zamocowane na bębnie, odkręć kluczkiem sześciokątnym pięć śrub mocujących. Pokrywek bębna zdejmuj się razem z nożami.

Aby założyć noże, najpierw oczyść je oraz bęben ze wszystkich strużyn i ciał obcych. Używaj noży o jednakowych wymiarach i wadze, w przeciwnym razie mogą wystąpić drgania bębna, prowadzące do złego strugania a nawet uszkodzenia urządzenia.

Każdy nóż posiada dwie śruby regulacyjne. Podczas zakładania noża te śruby regulacyjnej powinien wejść w znajdujące się na nożu nacięcie. Następnie dopasuj do pokrywy bębna i zakręć tylko ręką pięć śrub.

Obróć bęben, aż ostrze noża znajdzie się dokładnie w środku pomiędzy podstawą przednią i tylną.

Ustaw ekierkę płasko na podstawie tylnej i przesuw ją wzdłuż i w poprzek nad ostrzem noża. Obróć dwie śruby regulacyjne, aby ustawić występ noża. Nóż powinien być ustawiony tak, aby występ był równy na całej szerokości noża. Inaczej mówiąc, ekierka powinna stykać się z ostrzem noża na całej jego szerokości. Po wyregulowaniu obu noży dokręć równomiernie i na przemian kluczkiem sześciokątnym pięć śrub mocujących.

Po zakręceniu śrub mocujących dokręć do końca śruby regulacyjne.

### OSTRZEŻENIE:

Gdy zakładane są noże w urządzeniu, należy dokładnie dokręcić śruby instalacyjne noża. Luźna śruba instalacyjna może być niebezpieczna. Zawsze upewnij się, że są one pewnie dokręcone.

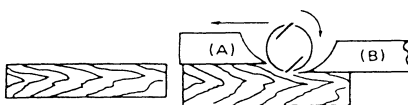
### Poprawne ustawienie noża strugarki

Strugana powierzchnia będzie szorstka i nierówna, jeżeli nóż nie jest ustawiony poprawnie i pewnie. Nóż musi być zamontowany tak, aby krawędź tnąca była idealnie pozioma, to znaczy równoległa do powierzchni bazy tylnej. Poniżej pokazane jest parę przykładów poprawnego i niepoprawnego ustawienia.

(A) Baza przednia (Klocek przesuwny)

(B) Baza tylna (Klocek stały)

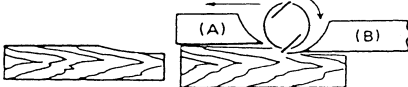
Poprawne ustawienie



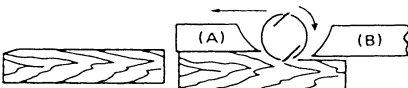
Nacięcia na powierzchni



Wyżłobienia na początku



Wyżłobienia na końcu



Aczkolwiek widok z boku nie jest w stanie tego pokazać, to krawędzie noży poruszają się idealnie równoległe do powierzchni bazy tylnej.

Przyczyna: Jeden lub oba noże nie są ustawione równoległe do linii bazy tylnej.

Przyczyna: Jedna lub obie krawędzie noża nie dostatecznie wystają w stosunku do linii bazy tylnej.

Przyczyna: Jedna lub obie krawędzie noża za bardzo wystają w stosunku do linii bazy tylnej.

## **Regulacja głębokości strugania (Rys. 4)**

Głębokość strugania może być regulowana poprzez przekręcenie pokrętkła na przedzie urządzenia.

## **Funkcje włącznika**

### **OSTRZEŻENIE:**

Przed podłączeniem urządzenia do zasilania, zawsze sprawdź, czy język włącznika działa poprawnie i czy powraca do pozycji „OFF” (Wyt.) po zwolnieniu.

### **Dla urządzenia bez przycisku blokady i przycisku blokady włączania (Rys. 5)**

Aby uruchomić urządzenie, naciśnij język. Zwolnij język, aby zatrzymać urządzenie.

### **Dla urządzenia z przyciskiem blokady (Rys. 6)**

Aby uruchomić urządzenie, naciśnij język. Zwolnij język, aby zatrzymać urządzenie. Dla ciągłej pracy naciśnij język, a następnie naciśnij przycisk blokady. Aby zatrzymać urządzenie w pozycji zablokowanej, naciśnij język do końca, a następnie zwolnij go.

### **Dla urządzenia z przyciskiem blokady włączania. (Rys. 7)**

Aby zapobiec przypadkowemu naciśnięciu języka, zamocowany jest przycisk blokady włączania. Aby uruchomić urządzenie naciśnij przycisk blokady włączania, a następnie naciśnij język. Zwolnij język, aby zatrzymać urządzenie.

## **Czynność strugania (Rys. 8)**

Najpierw połóż płasko bazę przednią na powierzchni struganego elementu tak, aby noże nie miały z nim kontaktu. Włącz urządzenie i zaczekaj dopóki noże nie osiągną pełnej prędkości. Następnie delikatnie przesunij urządzenie do przodu. Naciśnij na przód urządzenia przy rozpoczęciu strugania i na jego koniec, przy kończeniu strugania. Struganie będzie łatwiejsze, jeżeli element strugany zostanie trwale pochylony tak, aby możliwe było struganie w kierunku do dołu. Prędkość i głębokość strugania determinuje rodzaj wykończenia. Strugarka elektryczna podtrzymuje struganie z taką prędkością, która nie spowoduje zapchania jej wiórami. Dla zgrubnego strugania, głębokość strugania może być zwiększona, podczas gdy dla dobrego wykończenia konieczna jest redukcja głębokości cięcia i powolne przesuwanie urządzenia.

## **Ostrzenie noży strugarki (Rys. 9, 10 i 11)**

Zawsze utrzymuj noże ostre dla lepszej pracy urządzenia. Użyj uchwyty do ostrzenia w celu usunięcia nacięć i uzyskania dobrych ostrzy.

Najpierw poluzuj dwie nakrętki motylkowe uchwyty i włóż noże (A) i (B) tak, aby stykały się z bokami (C) i (D). Następnie dokręć nakrętki motylkowe.

Przed ostrzeniem zanurz kamień do ostrzenia w wodzie na 2 lub 3 minuty. Przytrzymaj uchwyt tak, aby oba noże dotykały kamienia do ostrzenia w celu równoczesnego ostrzenia pod tym samym kątem.

## **Podłączanie odkurzacza**

### **Wyłącznie kraje i regiony europejskie (Rys. 12 i 13)**

Jeżeli chcesz przeprowadzić struganie w czysty sposób, podłącz do urządzenia odkurzacz firmy Makita. Przymocuj zespół dyszy (wyposażenie standardowe) do urządzenia używając dostarczonych śrub. Następnie podłącz wąż odkurzacza do zespołu dyszy, tak jak pokazano na Rys. 13.

### **Inne obszary**

Do podłączenia odkurzacza do urządzenia potrzebne są dysza i złączka (wyposażenie dodatkowe). W sprawie ich nabycia zwróć się do przedstawiciela firmy Makita lub zajrzyj do katalogu.

## **KONSERWACJA**

### **OSTRZEŻENIE:**

Zawsze upewnij się, że urządzenie jest wyłączone i odłączone od zasilania przed wykonywaniem jakichkolwiek prac nad urządzeniem.

### **Wymiana szczoteczki węglowych (Rys. 14, 15 i 16)**

Wymień szczoteczki węglowe, gdy są one starte do znaku limitu. Wyjmij najpierw osłonę dla wiórów, a następnie wymień szczoteczki węglowe. Dwie identyczne szczoteczki węglowe powinny być wymienione w tym samym czasie.

Aby zapewnić bezpieczeństwo i niezawodność produktu, naprawy i konserwacje lub ustawianie powinny być wykonywane przez autoryzowany serwis Makita.

### **Szumy i drgania**

Typowe A-ważone poziomy szumów

poziom ciśnienia dźwięku: 90 dB (A).

poziom dźwięku w trakcie pracy: 103 dB (A).

– Noś ochroniacze uszu. –

Typowa wartość ważonej średniej kwadratowej przyspieszenia nie jest większa niż 2,5 m/s<sup>2</sup>.

### **UE-DEKLARACJA ZGODNOŚCI**

Niżej podpisany, Yasuhiko Kanzaki, autoryzowany przez Korporację Makita, 3-11-8 Sumiyoshi-Cho, Anjo, Aichi, 446-8502 Japan, deklaruje, iż niniejszy produkt

(Nr seryjny: seria produkcyjna)

wyprodukowany przez Korporację Makita w Japonii jest zgodny z następującymi standardami lub dokumentami standaryzacji,

HD400, EN50144, EN55014, EN61000

w zgodzie z Dyrektywami Rady 73/23/EEC, 89/336/EEC i 98/37/EC.

*Yasuhiko Kanzaki* **CE94**



Dyrektor

**MAKITA INTERNATIONAL EUROPE LTD.**

Michigan Drive, Tongwell, Milton Keynes,  
Bucks MK15 8JD, ENGLAND

1 Торцевой гаечный ключ	10 Кнопка	19 Лезвие (B)
2 Болт	11 Пусковой механизм	20 Сторона (C)
3 Винт регулировки	12 Кнопка фиксации	21 Сторона (D)
4 Лезвие строгального станка	13 Кнопка выключения фиксации	22 Сопло
5 Выемка на лезвии	14 Начало	23 Пылесос Makita
6 Крышка барабана	15 Конец	24 Ограничительная метка
7 Барабан	16 Точильный держатель	25 Крышка отсека для стружек
8 Треугольная линейка	17 Крыльчатая гайка	26 Крышка держателя щеток
9 Отвертка	18 Лезвие (A)	

### ТЕХНИЧЕСКИЕ ХАРАКТЕРИСТИКИ

<b>Модель</b>	<b>1806B</b>
Ширина строгания.....	170 мм
Глубина строгания .....	2 мм
Скорость в незагруженном состоянии (мин <sup>-1</sup> ) .....	15 000
Общая длина .....	529 мм
Масса нетто .....	8,8 кг

- Вследствие нашей продолжающейся программы поиска и разработок технические характеристики могут быть изменены без уведомления.
- Примечание: Технические характеристики могут различаться в зависимости от страны.

#### Источник питания

Инструмент должен быть подсоединен только к источнику питания с напряжением, указанным в табличке номиналов, и может функционировать только от однофазного источника питания переменного тока. В соответствии с Европейским стандартом имеется двойная изоляция, следовательно, возможно использование с розетками без провода заземления.

#### Общественные низковольтные распределительные системы с напряжением 220 В и 250 В

Переключение функционирования электрической аппаратуры вызывает флуктуации напряжения. Функционирование этого аппарата в неблагоприятных условиях электропитания может оказать негативное воздействие на функционирование другого оборудования. При сопоставлении сети питания равном или менее 0,42 Ом можно заключить, что не будет наблюдаться негативное воздействие. Розетка сети питания, используемая для этого аппарата, должна быть защищена с помощью предохранителя или защитного схемного переключателя, имеющего низкие размыкающие характеристики.

### ИНСТРУКЦИИ ПО МЕРАМ БЕЗОПАСНОСТИ

**Предостережение!** При использовании электрических инструментов следует всегда соблюдать основные меры безопасности для уменьшения опасности пожара, поражения электрическим током и персональных травм, включая следующие. Прочитайте эти инструкции перед тем, как пытаться управлять этим изделием, и сохраните эти инструкции.

Для безопасного функционирования:

- 1. Поддерживайте чистоту на рабочем месте**  
Захламленные места и подставки могут привести к травмам.
- 2. Учитывайте рабочую окружающую среду**  
Не подвергайте инструменты с электроприводом воздействию дождя. Не используйте инструменты с электроприводом в сырых или влажных местах. Поддерживайте хорошее освещение на рабочем месте. Не используйте инструменты с электроприводом в присутствии возгораемы жидкостей или газов.
- 3. Предохраняйтесь от поражения электрическим током**  
Предотвращайте контакт тела с заземленными поверхностями (например, трубами, радиаторами, батареями, холодильниками).
- 4. Держитесь подальше от детей**  
Не позволяйте посетителям прикасаться к инструменту или шнуру-удлинителю. Все посетители должны находиться подальше от рабочей области.
- 5. Правильно храните неработающие инструменты**  
Если инструменты не используются, они должны храниться в сухом, высоком или закрытом месте, вне досягаемости детей.
- 6. Не прилагайте усилие к инструменту**  
Он будет выполнять работу лучше и безопаснее при скорости, для которой он предназначен.

- 7. Используйте правильный инструмент**  
Не пытайтесь прилагать усилие к маленьким инструментам или присоединениям для выполнения работы инструмента тяжелого назначения. Не используйте инструменты для непредназначенных целей; например, не используйте дисковую пилу для резки веток или корней деревьев.
- 8. Одевайтесь правильно**  
Не одевайте свисающую одежду или украшения. Они могут попасть в движущиеся части. При работе на улице рекомендуется одевать резиновые перчатки и нескользящую обувь. Одевайте предохранительный головной убор для убирания длинных волос.
- 9. Используйте защитные очки и предохранительные приборы для слуха.**  
Если работа по резке является пыльной, используйте также маску для лица или пылезащитную маску
- 10. Подсоедините пылевсасывающее оборудование**  
Если имеются подсоединения устройств для всасывания и сбора пыли, убедитесь в том, что они подсоединены и используются правильно.
- 11. Не прилагайте усилие к шнуру**  
Никогда не носите инструмент за шнур и не держите за него для отсоединения его из розетки. Держите шнур подальше от жарких мест, масла и острых краев.
- 12. Закрепите рабочее изделие**  
Используйте зажимы или тиски для крепления рабочего изделия. Это является более безопасным, чем использование Вашей руки, и при этом освобождаются две руки для управления инструментом.
- 13. Не заходите слишком далеко**  
Сохраняйте правильную стойку и баланс все время.
- 14. Осторожно обращайтесь с инструментами**  
Держите инструменты острыми и чистыми для более лучшей и безопасной работы. Следуйте инструкциям для смазки и смены принадлежностей. Периодически проверяйте шнуры инструмента, и, если они повреждены, обращайтесь относительно ремонта в уполномоченный центр по техобслуживанию. Периодически проверяйте шнуры-удлинители и заменяйте, если они повреждены. Держите ручки сухими чистыми и свободными от масла или смазки.
- 15. Отсоединяйте инструменты**  
Если не используются, перед техобслуживанием, и при смене принадлежностей, таких, как лезвия, резцы и резак.
- 16. Убирайте регулировочные ключи и гаечные ключи**  
Сформируйте привычку проверять, что регулировочные ключи и гаечные ключи убраны с инструмента перед его включением.
- 17. Избегайте случайных запусков**  
Не носите подсоединенный к сети инструмент с пальцем, находящемся на переключателе. Перед подсоединением инструмента к сети убедитесь, что переключатель находится в положении “выкл”.
- 18. Шнуры-удлинители для использования на улице**  
Когда инструмент используется на улице, используйте только шнуры-удлинители, предназначенные для использования на улице с указанием этого.
- 19. Будьте бдительны**  
Наблюдайте за тем, что Вы делаете. Используйте разумный подход. Не управляйте инструментом, если Вы устали.
- 20. Проверяйте поврежденные части**  
Перед дальнейшим использованием инструмента, предохранитель или другая часть должны быть тщательно проверены для определения того, что они будут функционировать правильно и выполнять предназначенную функцию. Проверьте на предмет совмещения движущихся частей, соединения движущихся частей, поломки частей, монтажа и других условий, которые могут повлиять на их функционирование. Предохранитель или другая часть должны быть правильно отремонтированы или заменены в уполномоченном центре по техобслуживанию, если только не указано другое в этой инструкции по эксплуатации. Дефектные переключатели должны быть заменены в уполномоченном центре по техобслуживанию. Не используйте инструмент, если невозможно его включение и выключение с помощью переключателя.
- 21. Предостережение**  
Использование любой другой принадлежности или присоединения, отличного от рекомендуемого в этой инструкции по эксплуатации или каталоге, может привести к опасности персональной травмы.
- 22. Используйте для ремонта услуги специалиста**  
Это электрическое оборудование соответствует относящимся к нему правилам безопасности. Ремонт электрического оборудования может проводиться только специалистами, в противном случае, он может вызвать существенную опасность для пользователя.

## ДОПОЛНИТЕЛЬНЫЕ ПРАВИЛА БЕЗОПАСНОСТИ

1. Никогда не следует оставлять на рабочем месте коврики, тряпки, шнуры, веревки и подобные предметы.
2. Избегайте резать гвозди. Проверьте наличие и удалите все гвозди из рабочего изделия перед эксплуатацией.
3. Обращайтесь с лезвиями очень осторожно.
4. Перед эксплуатацией убедитесь, что установочные болты лезвия надежно завинчены.
5. Держите инструмент крепко обеими руками.
6. Держите руки подальше от вращающихся частей.
7. Перед использованием инструмента на настоящем рабочем изделии дайте ему поработать в течение некоторого времени. Следите за вибрацией или колебаниями, которые могут указывать на плохую установку или плохо сбалансированное лезвие.
8. Убедитесь в том, что лезвие не соприкасается с рабочим изделием перед включением переключателя.
9. Перед резкой подождите до тех пор, пока лезвие наберет полную скорость.
10. Держитесь на расстоянии по крайней мере 200 мм от инструмента в течение всего времени.
11. Перед любыми регулировками всегда выключайте инструмент и подождите, пока лезвия полностью остановятся.
12. Никогда не засовывайте Ваш палец в лоток для стружек. Возможно замятие стружек во время резки влажного дерева. Прочистите стружки с помощью палочки.
13. Не оставляйте инструмент в работающем состоянии. Управляйте инструментом только при удерживании его рукой.
14. Когда Вы оставляете строгальный станок, выключите его и установите его с передней основой, опирающейся на деревянный блок так, чтобы лезвия ни с чем не соприкасались.
15. Всегда заменяйте оба лезвия или крышки на барабане, в противном случае результирующая разбалансировка может вызвать вибрацию и сократить срок службы инструмента.
16. Перед тем как поставить инструмент в сторону, подождите, пока он полностью остановится.
17. Используйте только лезвия Makita, заданные в этой инструкции.

**СОХРАНИТЕ ЭТИ ИНСТРУКЦИИ.**

## ИНСТРУКЦИЯ ПО ЭКСПЛУАТАЦИИ

### Удаление или установка лезвий строгального станка (Рис. 1, 2 и 3)

Важно:

- Перед удалением или установкой лезвий всегда проверяйте, что инструмент выключен и отсоединен от сети.
- Используйте следующие лезвия строгального станка.

Часть Nos. 793186-4

\*P-04254

Лезвия со значком \* имеются в продаже только в европейских странах. Проконсультируйтесь с Вашим дилером или в центре техобслуживания Makita при покупке лезвий.

Для удаления лезвий на барабане отвинтите пять установочных болтов с помощью торцевого гаечного ключа. Крышка барабана отсоединяется вместе с лезвиями.

Для установки лезвий сначала почистите все стружки или посторонние предметы, налипшие на барабан или лезвия. Используйте лезвия тех же размеров и веса, в противном случае возможна осцилляция/вибрация барабана, которая может вызвать плохое строгание, и, возможно, поломку инструмента.

На каждом лезвии имеется два винта регулировки. При установке лезвия выемка на лезвии должна совпадать с головкой винта регулировки. Затем поставьте крышку барабана и зафиксируйте пять болтов только немного.

Поверните барабан до тех пор, пока край лезвия не будет находиться посередине между передней и задней основой.

Поместите треугольную линейку плоско на заднюю основу и прогоните ее над и вдоль края лезвия. Поверните два винта регулировки для регулировки выступов лезвия. Установка лезвия должна быть выполнена так, чтобы выступы были одинаковыми полностью вдоль. При этом треугольная линейка должна находиться вровень с полной шириной края лезвия. После регулировки обеих лезвий завинтите одинаково и поочередно пять установочных болтов с помощью торцевого гаечного ключа.

После завинчивания болтов полностью зафиксируйте винты регулировки.

### ПРЕДУПРЕЖДЕНИЕ:

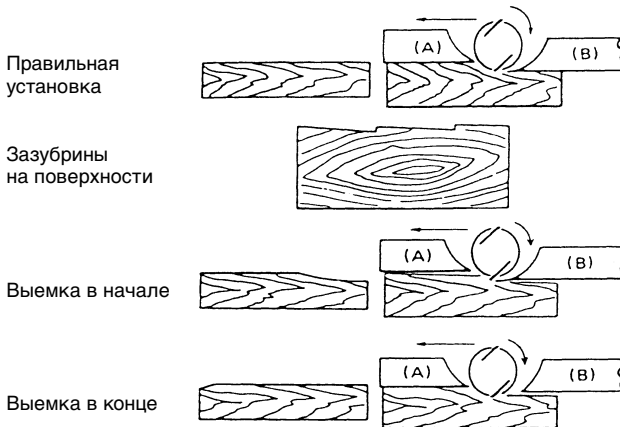
При присоединении лезвия к инструменту завинтите установочные болты лезвия надежно. Развинченный установочный болт может стать причиной опасности. Всегда проверяйте, чтобы убедиться, что они завинчены надежно.

## Для правильной установки лезвия строгального станка

Ваша строгальная поверхность будет шероховатой и неровной, если только лезвие не будет установлено правильно и надежно. Следует смонтировать лезвие так, чтобы режущий край был абсолютно ровным, а именно, параллельным к поверхности задней основы. Ниже приведены некоторые примеры правильной и неправильной установки.

(А) Передняя основа (движущаяся часть)

(В) Задняя основа (неподвижная часть)



Хотя на этом боком виде этого не видно, края лезвий проходят совершенно параллельно к поверхности задней основы.

Случай: Одно или оба лезвия не имеют края, параллельные линии задней основы.

Случай: Края одного или обоих лезвий не выступают достаточно по отношению к линии задней основы.

Случай: Края одного или обоих лезвий выступают слишком сильно по отношению к линии

## Регулировка глубины резки (Рис. 4)

Глубина резки может быть подрегулирована при простом нажатии кнопки спереди инструмента.

## Действия при переключении

### ПРЕДУПРЕЖДЕНИЕ:

Перед подсоединением инструмента всегда проверяйте, чтобы видеть, что пусковой механизм действует правильно и возвращается в положение "OFF" (выкл.) при высвобождении.

## Для инструмента без кнопки фиксации и кнопки выключения фиксации (Рис. 5)

Для запуска инструмента просто нажмите пусковой механизм. Для остановки высвободите пусковой механизм.

## Для инструмента с кнопкой фиксации (Рис. 6)

Для запуска инструмента просто нажмите пусковой механизм. Для остановки высвободите пусковой механизм. Для непрерывного функционирования нажмите пусковой механизм, а затем нажмите кнопку фиксации. Для остановки инструмента из фиксированного положения полностью нажмите пусковой механизм, затем высвободите его.

## Для инструмента с кнопкой выключения фиксации (Рис. 7)

Кнопка выключения фиксации предназначена для предотвращения случайного нажатия пускового механизма. Для запуска инструмента нажмите кнопку выключения фиксации и нажмите пусковой механизм. Для остановки высвободите пусковой механизм.

## Операция строгания (Рис. 8)

Сначала поместите переднюю основу инструмента в плоском положении на поверхность рабочего изделия без какого-либо соприкосновения лезвий. Включите и подождите, пока лезвия не наберут полную скорость. Затем медленно продвигайте инструмент вперед. Прикладывайте усилие к передней части инструмента в начале строгания и к задней части в конце строгания. Стругание будет упрощено, если Вы наклоните рабочее изделие в неподвижном состоянии так, что Вы сможете строгать как бы в направлении вниз. Скорость и глубина резки определяют тип отделки. Электрический строгальный станок выполняет резку со скоростью, которая не вызывает в результате заматия стружек. Для грубой резки возможно увеличение глубины резки, в то время как для хорошей отделки Вам следует уменьшить глубину резки и продвигать инструмент более медленно.

## **Заточка лезвий строгального станка**

**(Рис. 9, 10 и 11)**

Всегда держите Ваши лезвия острыми с целью наилучшего возможного функционирования. Используйте точильный держатель для удаления зазубрин и воспроизведения ровного края.

Сначала развинтите две крыльчатых гайки на держателе и вставьте лезвия (А) и (В) так, чтобы они контактировали со сторонами (С) и (D). Затем завинтите крыльчатые гайки.

Перед заточкой опустите шлифовальный камень в воду на 2 или 3 минуты. Удерживайте держатель так, чтобы оба лезвия контактировали с шлифовальным камнем для одновременной заточки под одинаковым углом.

## **Подсоединение пылесоса**

### **Только для европейских стран и регионов**

**(Рис. 12 и 13)**

Если Вы хотите выполнить операцию чистого строгания, подсоедините пылесос Makita к Вашему инструменту. Установите сборку сопла (стандартное оборудование) на инструмент, используя поставляемые винты. Затем подсоедините шланг пылесоса к сборке сопла, как показано на **рис. 13**.

### **Для других стран и областей**

Сопло и соединение (дополнительные принадлежности) требуются для подсоединения пылесоса Makita к Вашему инструменту. Проконсультируйтесь в каталоге Makita или с представителем фирмы относительно сопла и соединения.

## **ОБСЛУЖИВАНИЕ**

### **ПРЕДУПРЕЖДЕНИЕ:**

Всегда проверяйте, что инструмент выключен и отсоединен перед выполнением любой работы с инструментом.

### **Замена угольных щеток (Рис. 14, 15 и 16)**

Заменяйте угольные щетки, когда они износятся до ограничительной метки. Сначала удалите крышку отсека для стружек, а затем замените угольные щетки. Обе одинаковые угольные щетки следует заменять одновременно.

Для поддержания безопасности и долговечности изделия, ремонт, уход и регулировка должна проводиться в уполномоченном центре по техобслуживанию Makita.



### Шум и вибрация

Типичные А-взвешенные уровни шума составляют

уровень звукового давления 90 дБ (А).

уровень звуковой мощности 103 дБ (А).

– Надевайте защиту для слуха. –

Типичное взвешенное значение квадратного корня ускорения составляет не более чем 2,5 м/с<sup>2</sup>.

### ЕС ДЕКЛАРАЦИЯ СООТВЕТСТВИЯ

Подписавшийся ниже Ясухико Канзаки, уполномоченный корпорацией Makita, 3-11-8 Sumiyoshi-Cho, Anjo, Aichi, 446-8502 Japan, декларирует, что это изделие

(Серийный №: серия производства)

изготовленное в корпорации Makita в Японии находится в соответствии со следующими стандартами и документами по стандартизации,

HD400, EN50144, EN55014, EN61000

в соответствии со сборником директив 73/23/ЕЕС, 89/336/ЕЕС и 98/37/ЕС.

Ясухико Канзаки **CE94**



Директор

**MAKITA INTERNATIONAL EUROPE LTD.**

Michigan Drive, Tongwell, Milton Keynes,  
Bucks MK15 8JD, ENGLAND





**Makita Corporation**  
Anjo, Aichi, Japan  
Made in Japan  
883347D207